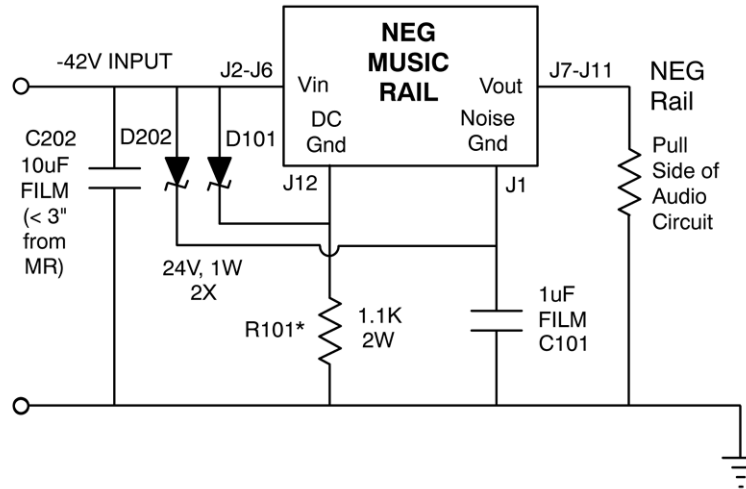




For additional information, please visit the Bybee web site at [www.BybeeLabs.com](http://www.BybeeLabs.com)



**ADJUSTMENT FORMULAS**

D1 current = .005A  
 Music Rail current = .0115A  
 $R1 + R2 \text{ ohms} = (V_{in} - 24V) / (.005A + .0115A)$   
 $R1 + R2 \text{ watts} = (V_{in} - 24V) \times (.005A + .0115A)$   
 The above wattage should be derated. See app note J0413.  
 C1 = Voltage rating must match or exceed input voltage.  
 D1, D2 = Reverse polarity for NEG supplies; otherwise same.

If you need additional help, please contact:

[techsupport@bybeelabs.com](mailto:techsupport@bybeelabs.com)

##

MUSIC RAILS are manufactured in the United States.

© 2011 Bybee Labs, Inc.  
 8390 East Via de Ventura F-110  
 Scottsdale, Arizona 85258, USA  
 1-480-998-2880 / [techsupport@bybeelabs.com](mailto:techsupport@bybeelabs.com)