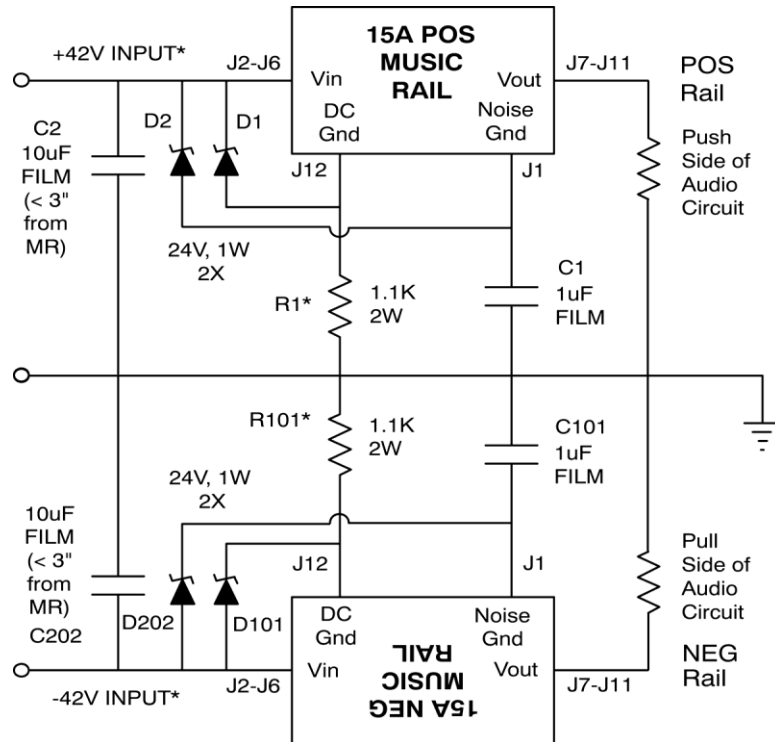




For additional information, please visit the Bybee web site at [www.BybeeLabs.com](http://www.BybeeLabs.com)



**BOM (one channel)**

- 15A POS Music Rail
- 15A NEG Music Rail
- Silicon thermal pad 2X
- C1 1uF, 50V film 2X

- C2 10uF, 50V film 2X
- R1 1.1K, 2W 2X
- D1, D2 24V, 1W zener 4X
- Mounting hardware

**\*For Other Input Voltages:**

$R1 = (V_{in} - 24V) / (.005A + .0115A) = (D1 + \text{Music Rail current})$   
 $R1 \text{ watts} = (V_{in} - 24V) \times (.005A + .0115A)$   
 The above wattage must be derated. **See app note J0413.**  
 C1, C2 = Same capacitance; voltage rating must exceed input voltage.  
 D1, D2 = No change.

If you need additional help, please contact:

[techsupport@bybeelabs.com](mailto:techsupport@bybeelabs.com)

##

MUSIC RAILS are manufactured in the United States.

© 2011 Bybee Labs, Inc.  
 8390 East Via de Ventura F-110  
 Scottsdale, Arizona 85258, USA  
 1-480-998-2880 / [techsupport@bybeelabs.com](mailto:techsupport@bybeelabs.com)